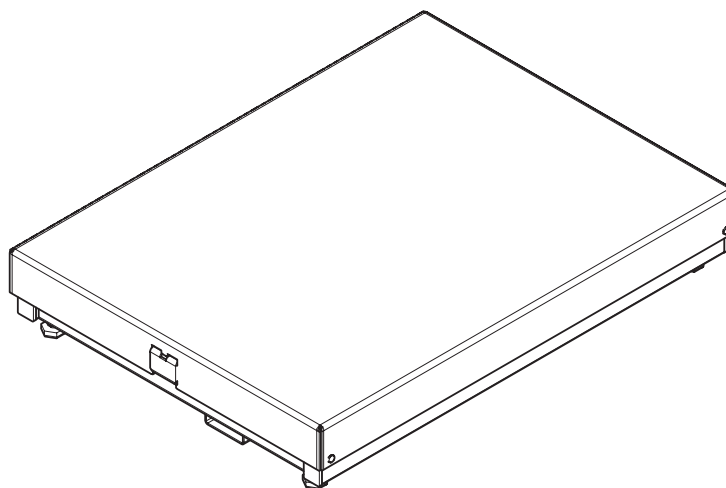
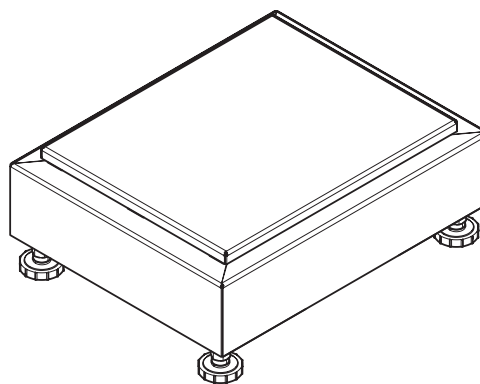


# PBK9-series

High precision weighing platforms



**METTLER TOLEDO**

# METTLER TOLEDO Service

Congratulations on choosing the quality and precision of METTLER TOLEDO. Proper use of your new equipment according to this User manual and regular calibration and maintenance by our factory-trained service team ensures dependable and accurate operation, protecting your investment. Contact us about a service agreement tailored to your needs and budget. Further information is available at [www.mt.com/service](http://www.mt.com/service).

There are several important ways to ensure you maximize the performance of your investment:

1. **Register your product:** We invite you to register your product at [www.mt.com/productregistration](http://www.mt.com/productregistration) so we can contact you about enhancements, updates and important notifications concerning your product.
2. **Contact METTLER TOLEDO for service:** The value of a measurement is proportional to its accuracy – an out of specification scale can diminish quality, reduce profits and increase liability. Timely service from METTLER TOLEDO will ensure accuracy and optimize uptime and equipment life.
  - **Installation, Configuration, Integration and Training:**  
Our service representatives are factory-trained, weighing equipment experts. We make certain that your weighing equipment is ready for production in a cost effective and timely fashion and that personnel are trained for success.
  - **Initial Calibration Documentation:**  
The installation environment and application requirements are unique for every industrial scale so performance must be tested and certified. Our calibration services and certificates document accuracy to ensure production quality and provide a quality system record of performance.
  - **Periodic Calibration Maintenance:**  
A Calibration Service Agreement provides on-going confidence in your weighing process and documentation of compliance with requirements. We offer a variety of service plans that are scheduled to meet your needs and designed to fit your budget.

# Contents

<b>1</b>	<b>Safety information for operation in the Ex area .....</b>	<b>4</b>
<b>2</b>	<b>Installation.....</b>	<b>6</b>
2.1	Preparatory work .....	6
2.2	Setting up .....	7
2.3	Levelling .....	8
2.4	Lengthening and installing connection cable.....	9
2.5	Equipotential bonding in hazardous areas .....	9
2.6	Connecting PBK98_APW weighing platforms.....	11
2.7	Commissioning .....	18
<b>3</b>	<b>Configuration possibilities .....</b>	<b>19</b>
3.1	General information.....	19
3.2	Configuration data in the factory setting .....	20
<b>4</b>	<b>Planning assemblies.....</b>	<b>21</b>
4.1	Notes on planning.....	21
4.2	Preload range.....	21
4.3	Mounting possibilities.....	22
<b>5</b>	<b>Dimensions .....</b>	<b>26</b>

# 1 Safety information for operation in the Ex area



- ▲ The PBK9-series high precision weighing platforms except PBK989-XS0.6 provide options for operation in Category 3 or Category 2 / DIV 1 hazardous areas (gases and dusts). There is an increased risk in injury and damage when using the explosion-protected weighing platforms in a potentially explosive atmosphere. Special care must be taken when working in such hazardous areas.
- ▲ Any protective foils present in the hazardous area, e.g. on the load plate, must always be removed.

**Competence** ▲ In hazardous areas, the weighing platforms may only be installed, maintained and repaired by authorized METTLER TOLEDO service personnel.

- Ex approval**
- ▲ No modifications may be made to the weighing platform and no repair work may be performed on the system modules. Any weighing platform or system modules that are used must comply with the specifications contained in the installation instructions. Non-compliant equipment jeopardizes the intrinsic safety of the system, cancels the "Ex" approval and renders any warranty or product liability claims null and void.
  - ▲ The safety of the weighing system is only guaranteed when the weighing system is operated, installed and maintained in accordance with the respective instructions.
  - ▲ Also comply with the following:
    - the instructions for the system modules,
    - the regulations and standards in the respective country,
    - the statutory requirement for electrical equipment installed in hazardous areas in the respective country,
    - all instructions related to safety issued by the owner.
  - ▲ The explosion-protected weighing system must be checked to ensure compliance with the requirements for safety before being put into service for the first time, following any service work and every 3 years, at least.

- Operation**
- ▲ Prevent the build-up of static electricity.
    - Always wear suitable working clothes when operating or performing service work in a hazardous area.
    - Avoid strong mechanical rubbing of the powder-coated surfaces against any material when operating in Category 3 or Category 2 / DIV 1.
    - Only use the weighing platforms when electrostatic processes leading to propagating brush discharges are impossible.
  - ▲ Do not use protective coverings for the devices.
  - ▲ Avoid damage to the system components.
  - ▲ If system damage occurs, the system must be put out of operation immediately.
  - ▲ Damaged system components must be replaced immediately.

- Installation**
- ▲ Only install or perform maintenance work on the weighing system in the hazardous areas if the following conditions are fulfilled:
    - the intrinsically safe characteristic values and zone approval of the individual components are in accordance with one another,
    - the owner has issued a permit ("spark permit" or "fire permit"),
    - the area has been rendered safe and no explosive dust is present and the owner's safety coordinator has confirmed that there is no danger,
    - the necessary tools and any required protective clothing are provided (danger of the build-up of static electricity).
  - ▲ The explosion protected PBK9-series high precision weighing platforms may only be operated in hazardous areas of Category 3 or Category 2 / DIV 1 in conjunction with weighing terminals that have the appropriate approval and interface specification.
  - ▲ The certification papers (certificates, manufacturer's declarations) must be present.
  - ▲ Before setting up the system secure the connection between weighing terminal and weighing platform.
  - ▲ Lay cabling securely so that it does not move and effectively protect it against damage.
  - ▲ Only route cables into the housing of the system modules via the approved earthing cable glands and ensure proper seating of the seals.
  - ▲ The connection cable may not be separated from the weighing terminal while it is energized.
  - ▲ Make sure that no conductive dusts exist when removing the plug of load cell.
  - ▲ Only use METTLER TOLDEO approved and marked connection cables.
  - ▲ Secure M12 connectors via hexagon nut and appropriate tools.  
Torque range: 1.0 to 1.2 Nm.
  - ▲ Connect the weighing platform with an equipotential bonding conductor to the system safety ground.
  - ▲ Protect the M12 flange socket and the cable connector effectively against mechanical damage by using the assembled protective bracket.
  - ▲ Avoid direct sunlight radiation.

## 2 Installation

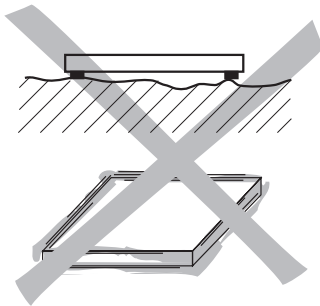


### CAUTION

- ▲ Use only genuine METTLER TOLEDO accessories and cable assemblies with this product. Use of unauthorized or counterfeit accessories or cable assemblies may result in voided warranty, improper or erroneous operation or damage to property (including the unit) and personal injury.

### 2.1 Preparatory work

#### 2.1.1 Selecting installation location



- ▲ The foundation at the installation location must be capable to safely support the weight of the weighing platform at its support points when it carries the maximum load. At the same time, it should be so stable that no vibrations occur during weighing operations. These requirements also apply when the weighing platform is integrated in conveying systems and the like.
- ▲ Ensure that the ground at the installation location is even.
- ▲ Ensure that there are no vibrations from machines near the installation site.
- ▲ Ensure that there are no drafts at the installation site.



### EXPLOSION HAZARD

**PBK989-XS0.6 is not approved for hazardous areas.**

- ▲ Do not use PBK989-XS0.6 in any kind of hazardous areas.

#### 2.1.2 Ambient conditions

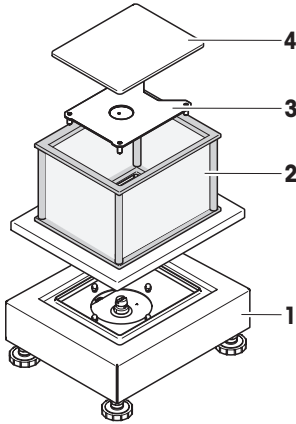
- Use powder-coated/enamelled weighing platforms only in a dry environment.
- In a damp environment, in wet operation or when working with chemicals: Use stainless-steel weighing platforms.

#### 2.1.3 Accessories

- Completely unpack the accessories provided with the weighing platform.
  - 1 bottle of oil, suitable for foodstuffs
  - 1 set of measuring data signs for selectable configurations
  - Optional: ACC409xx-SICSpro-IDNet converter (incl. identcard kit, not for Category 2 / DIV 1)

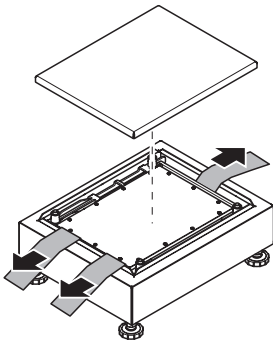
## 2.2 Setting up

### 2.2.1 PBK989-XS0.6



1. Unpack weighing platform (1), windshield (2), load plate support (3) and load plate (4).
2. Mount the load support (3) on the weighing platform.
3. Put the windshield (2) on.
4. Put the load plate (4) on the load support.

### 2.2.2 PBK989-A3 / PBK989-A6

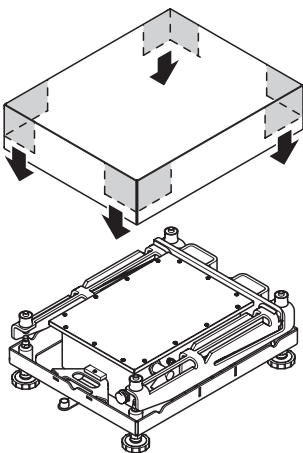


1. Remove the weighing platform from the packing.
2. Lift off the load plate.
3. Remove the transport locks (3 cardboard strips).
4. Put the load plate on.

### 2.2.3 PBK989-A15 / PBK989-A30 / PBK-A60

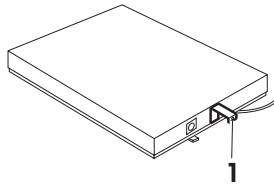
- Remove the weighing platform from the packing.

### 2.2.4 PBK98\_B60 / PBK98\_B120

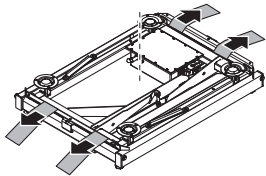


1. Remove the weighing platform from the packing.
2. Lift off the load plate.
3. Remove the transport locks from the corners (4 cardboard angles).
4. Put the load plate on.

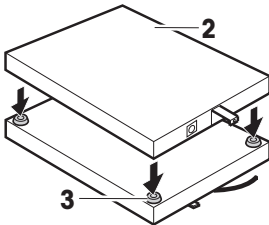
### 2.2.5 PBK98\_-CC150 / PBK98\_-CC300



1. Remove the weighing platform from the packing.
2. Remove the load plate by pivoting the two side handles (1) outward.



3. Remove the transport locks (2 x 2 cardboard strips between lever and base frame + 4 cardboard angles in the corners).

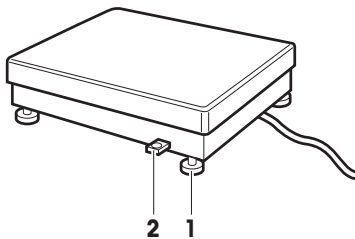


4. Replace the load plate (2) so that the symbol ● is located above the level indicator.
5. Make sure that the load supports (3) in the corners of the weighing platform are vertical.

## 2.3 Levelling

### Notes

- Only weighing platforms that have been levelled precisely horizontally provide accurate weighing results.
- Redo levelling when the weighing platform has been moved.



1. Level the weighing platform with the 4 foot bolts (1) using the level indicator (2): The air bubble of the level indicator must come to rest within the ring marking.
2. Ensure even contact of the foot bolts. Every foot must stand safely and must have full contact with its entire surface. Check the stability of the weighing platform by pressing down on or rocking it at the corners.
3. Lock the foot bolts with the nuts.



## 2.4 Lengthening and installing connection cable

The connection cable may be lengthened.

Standard version up to 100 m

Ex version up to 50 m

→ Route the connection cable directly out of the weighing platform to the weighing terminal or the ConBloc (PBK98\_APW weighing platforms only).

### CAUTION

If the cable is laid in a pipe, ensure that the pipe is of a sufficient diameter.

## 2.5 Equipotential bonding in hazardous areas



### EXPLOSION HAZARD

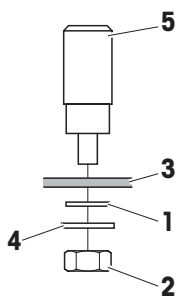
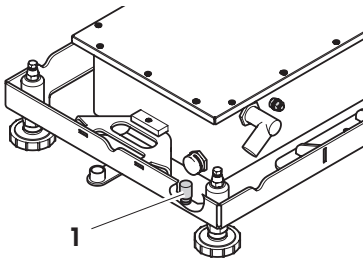
- ▲ Always use equipotential bonding in hazardous areas.
- ▲ Use only cables with cross section 4 mm<sup>2</sup>.

The equipotential bonding must be installed by a professional electrician when using the weighing platform in hazardous areas. METTLER TOLEDO Service only has a monitoring and consulting function here.

→ Connect equipotential bonding (PA) of all devices (weighing platform and service terminal) in accordance with the country-specific regulations and standards. In the process, make sure that all device housings are connected to the same potential via the PA terminals.

### Equipotential bonding sizes A/AB

→ Mount the equipotential bonding clamp (1) on the base frame.

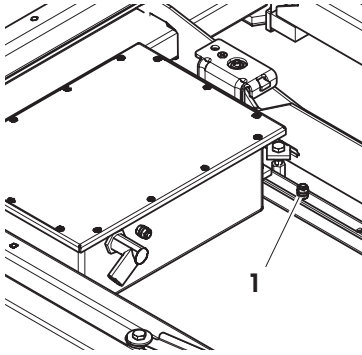


- 1 Serrated lock washer A 4.3 DIN 6798
- 2 Hexagonal lock nut M4 DIN 934
- 3 Base frame
- 4 Washer 4.3 DIN 125
- 5 Equipotential bonding clamp

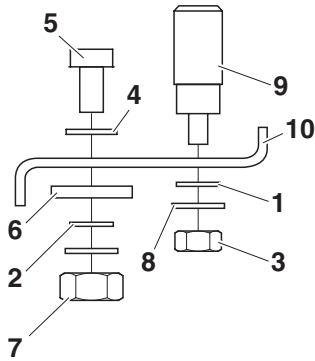
Mounting materials are enclosed with the weighing terminal for hazardous areas.

### Equipotential bonding sizes B/CC

→ Mount the equipotential bonding clamp (1) on the base frame.



Mounting materials are enclosed with the weighing terminal for hazardous areas.



- 1 Serrated lock washer A 4.3 DIN 6798
- 2 Serrated lock washer A 5.3 DIN 6798
- 3 Hexagonal lock nut M4 DIN 934
- 4 Washer 5.3 DIN 125, 2 pcs
- 5 Cheese head screw M5x16 DIN 912
- 6 Base frame
- 7 Hexagonal lock nut M5 DIN 934
- 8 Washer 4.3 DIN 125
- 9 Equipotential bonding clamp
- 10 Equipotential bonding plate

## 2.6 Connecting PBK98\_APW weighing platforms

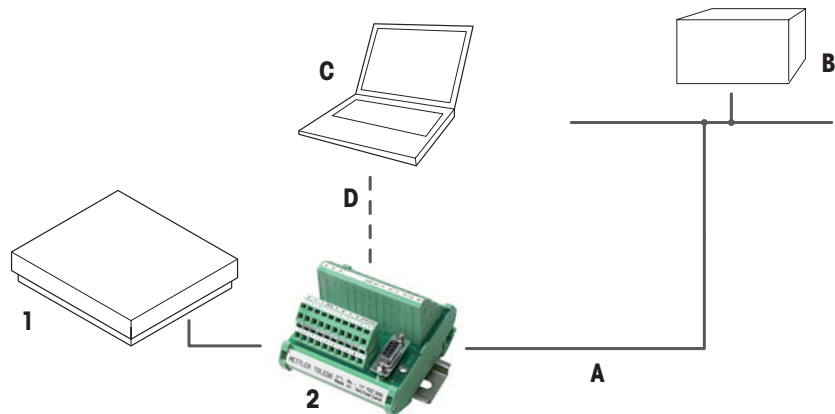
### 2.6.1 Power supply

Required power supply voltage: 12 to 24 V DC nominal (10 to 29 V DC)

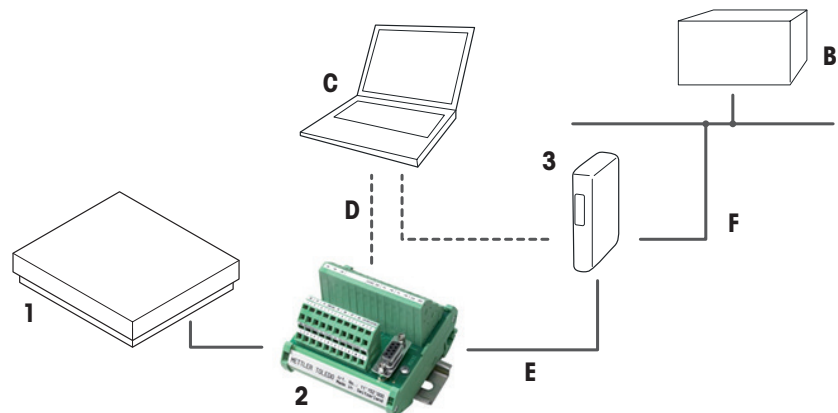
### 2.6.2 Typical configurations

#### Direct connection to the PLC in the safe area

To connect the PBK98-APW weighing platform to its environment, the ConBlock respectively ConBlock IP66 connection module is recommended.



#### Connection to the PLC via Fieldbus module in the safe area



#### EXPLOSION HAZARD

**ConBlock / ConBlock IP66 is not approved for hazardous areas.**

▲ Only install the ConBlock / ConBlock IP66 in the safe area.

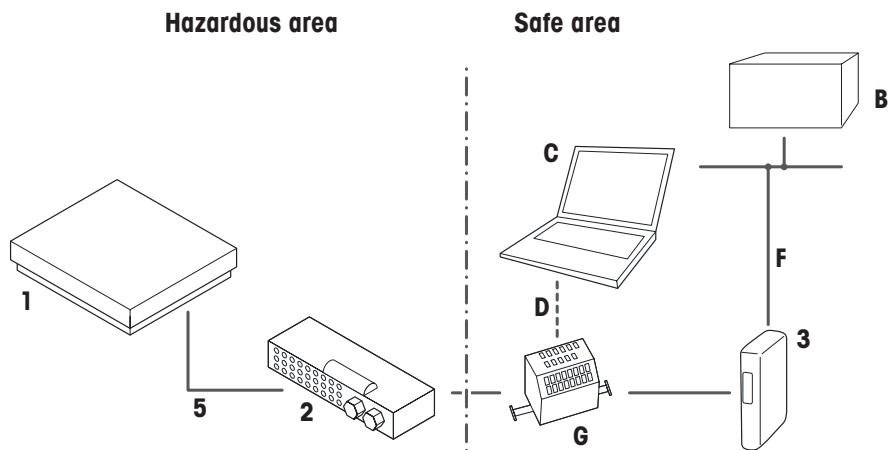
### Configuration for Category 3

To connect the PBK98-APW weighing platform to its environment, the ConBlock-X connection module is recommended.



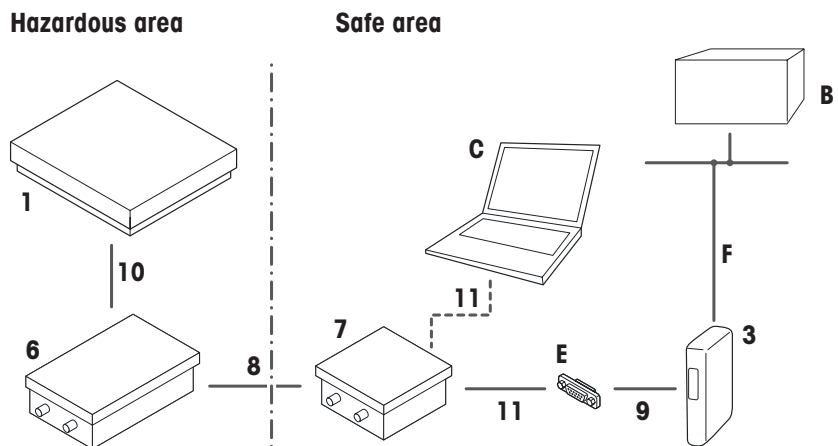
#### EXPLOSION HAZARD

- ▲ Always use a suitable safety barrier to separate equipment located in the hazardous area from the safe area.



### Configuration for Category 2 / DIV 1

To connect the PBK98-APW weighing platform to its environment, the APS768x power supply and the ACM200 interface module are recommended.



### **METTLER TOLEDO components**

- 1** PBK98\_APW weighing platform
- 2** Connection module
  - ConBlock resp. ConBlock IP66 with IP66 housing – for the safe area
  - ConBlock-X – for hazardous areas Category 3
- 3** Fieldbus module (Profibus, Profinet, DeviceNet, Ethernet/IP, CC-Link)
- 4** Fieldbus connection cable, D-Sub 9-pin male, open ends
- 5** Connection cable M12, 12-pin, open ends, 10 m
- 6** APS768x – Power supply unit for hazardous area
- 7** ACM200 interface converter in the safe area
- 8** Ex-i cable for Category 2 / DIV 1, 4-pin, 10 m, included in the scope of delivery of ACM200
- 9** RS232 cable M-to-M
- 10** Ex-i cable for Category 2 / DIV 1, M12, 6-pin, 10 m
- 11** Data cable
  - RS232: fix connected to ACM200, 10 m
  - RS422/485: to be defined by the customer

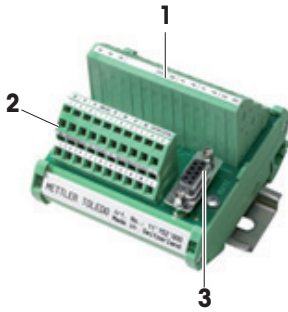
### **Customer components**

- A** Connection cable to PLC, RS232 or RS422/RS485
- B** PLC
- C** PC or laptop (for configuration and service purpose)
- D** Standard RS232 cable (DB9 male/female)
- E** Gender Changer (Male-to-Male)
- F** Fieldbus cable
- G** Safety barrier / isolator \*

\* Safety barrier / isolator is necessary only if limitations for the electrical parameters given in "2.6.5 Additional technical data for Category 3" on page 17 cannot be held by the system design.

If these limitations can be held by the system design, there is no need for a safety barrier / isolator.

### 2.6.3 ConBlock / ConBlock IP66 connection – safe area



- 1 System connection side: 10 terminals
- 2 Weighing platform connection side: 2 x 10 terminals
- 3 RS232 interface (D-Sub 9), for configuration and servicing

#### ConBlock connections – weighing platform side

The PBK98\_APW weighing platform is delivered with a 12 wire open end cable. The corresponding terminals of the ConBlock are identified by the wire color and the respective pin designation.

Pin	J	D	H	T	F	K	G	E	A	O
Color	–	–	–	–	–	–	–	–	white	brown and green
Signal	–	–	–	–	–	–	–	–	V DC	GND

Pin	L	U	P	C	R	B	S	N	M	Shield
Color	orange	black	purple	violet	blue	red	grey	pink	yellow	braid
Signal	Tx+	Rx+	Tx–	Rx–	CTS	GND INT	RTS	RXD	TXD	Shield

#### ConBlock connections – system side

The connection terminal strip is grouped according to the following functions: RS232 and RS422/RS485 interface, input voltages and digital inputs and outputs.

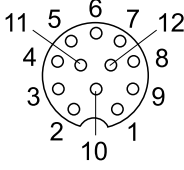
RS232		RS422 (in)		RS422 (through)		Power	–	–	–
RXD	RTS	Rx+	Tx+	Rx+	Tx+	V DC	–	–	–
TXD	CTS	Rx–	Tx–	Rx–	Tx–	GND	–	–	–
GND INT	Shield	Shield		Shield		PE	–	–	–

#### RS422 / RS485 configuration

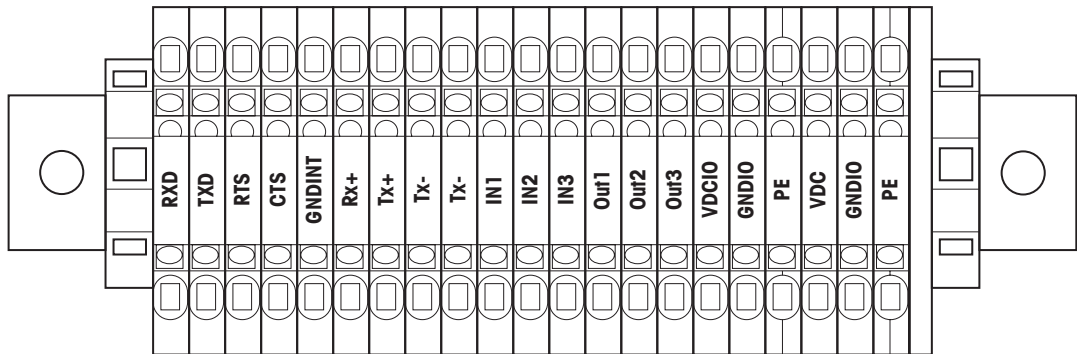
The RS422 interface is directly available via the connection terminals. For the RS485 configuration, the following signals must be connected:

- A–: Tx– and Rx–
- B+: Tx+ and Rx+

### Load cell connector

Connector M12	Pin	Load cell signal		Color
	1	V DC in		White
	2	GND in		Brown
	3	GND in		Green
	4	TXD (RS232)		Yellow
	5	RTS (RS232)		Grey
	6	RXD (RS232)		Pink
	7	CTS (RS232)		Blue
	8	GND (RS232)		Red
	9	TX+ (RS422)	B+ (RS485)	Orange
	10	TX- (RS422)	A- (RS485)	Purple
	11	RX+ (RS422)	B+ (RS485)	Black
	12	RX- (RS422)	A- (RS485)	Violet
	Shield			Braid

### 2.6.4 ConBlock-X connection



#### ConBlock-X connections – weighing platform side

The explosion-protected PBK98\_APW weighing platform is delivered with a 12 wire open end cable. The corresponding terminals of the ConBlock-X are identified by the wire color and the respective pin designation.

<b>Color</b>	Pink	Yellow	Gray	Blue	Red	Red/blue	Violet	Black	Gray/ pink	White	Brown/ green
<b>Signal</b>	RXD	TXD	RTS	CTS	GND INT	Rx+	Rx-	Tx+	Tx-	V DC	GND

### ConBlock-X connections – system side

The connection terminal strip is grouped according to the following functions: RS232 and RS422/RS485 interface, input voltages and digital inputs and outputs.

RS232		RS422		Power	Inputs	Outputs
RXD	RTS	Rx+	Tx+	V DC	IN1	OUT1
TXD	CTS	Rx-	Tx-	GND	... IN3	... OUT3
GND INT	Shield	Shield		PE	GND IO	V DC IO

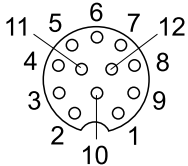
### RS422 / RS485 configuration

The RS422 interface is directly available via the connection terminals. For the RS485 configuration, the following signals must be connected:

A-: Tx- and Rx-

B+: Tx+ and Rx+

### Load cell connector

Connector M12	Pin	Load cell signal		Color
	1	V DC in		White
	2	GND in		Brown
	3	GND in		Green
	4	TXD (RS232)		Yellow
	5	RTS (RS232)		Grey
	6	RXD (RS232)		Pink
	7	CTS (RS232)		Blue
	8	GND (RS232)		Red
	9	TX+ (RS422)	B+ (RS485)	Black
	10	TX- (RS422)	A- (RS485)	Gray/Pink
	11	RX+ (RS422)	B+ (RS485)	Red/Blue
	12	RX- (RS422)	A- (RS485)	Violet
Shield			Braid	



### 2.6.5 Additional technical data for Category 3

<b>Electrical parameters</b>	<b>Power supply</b>	<ul style="list-style-type: none"> <li>• Connector pins: J100, Pins 1 &amp; 2 against 3 (GND)</li> <li>• <math>U_{nom}</math>: 12 ... 24 V DC +20% / -30% (+8.5 ... + 28.8 V DC)</li> <li>• <math>I_{nom}</math> (during normal weighing): <math>\leq 120</math> mA</li> <li>• <math>I_{max}</math> (during calibration): <math>\leq 200</math> mA</li> <li>• <math>P_{nom}</math> (during normal weighing): <math>\leq 1.2</math> W</li> <li>• <math>P_{max}</math> (during calibration): <math>\leq 1.5</math> W</li> </ul>	
	<b>RS422/485</b>	Receiver	<ul style="list-style-type: none"> <li>• Connector pins: J100, Pins 11 &amp; 12</li> <li>• Abs. max. input voltage range: -7 ... +12 V @ termination resistor switched off</li> <li>• Abs. max. differential input voltage range: <math>\pm 6</math> V @ termination resistor switched on</li> <li>• Minimum receiver input resistance: 44 k<math>\Omega</math> @ termination resistor switched off</li> </ul>
		Transmitter	<ul style="list-style-type: none"> <li>• Connector pins: J100, Pins 9 &amp; 10</li> <li>• Abs. max. output voltage range: -7 ... +12 V @ termination resistor switched off</li> <li>• Nominal output voltage range: 3.3 V <math>\pm</math> 5 % (V CC on Mainboard) @ termination resistor switched off</li> <li>• Maximum output short-circuit current: -250 ... +300 mA</li> </ul>
	<b>RS232</b>	Receiving (Rx, D, CTS)	<ul style="list-style-type: none"> <li>• Connector pins: J100, Pins 6 against 8 &amp; 7 against 8</li> <li>• Minimum receiver input resistance: 3 k<math>\Omega</math></li> </ul>
		Transmitter	<ul style="list-style-type: none"> <li>• Connector pins: J100, Pins 4 against 8 &amp; 5 against 8</li> <li>• Abs. max. output voltage range: <math>\pm 13.2</math> V</li> <li>• Maximum output short-circuit current: <math>\pm 60</math> mA</li> <li>• Short-circuit duration: continuous</li> </ul>
<b>Thermal parameters</b>	<ul style="list-style-type: none"> <li>• Permitted ambient temperature range: -10 °C ... + 40 °C</li> <li>• Maximum surface temperature: +60 °C</li> </ul>		
<b>Ingress protection</b>	IP rating: IP66, IP68 (according to EN/IEC60529)		

## 2.7 Commissioning

### 2.7.1 Switching on

→ Switch on the weighing system at the final location only.

When switching on the weighing system for the first time, it will perform an automatic geo code adjustment using the calibration weight which is integrated in the load cell.

### 2.7.2 PBK9APW-series adjustment

In order to reach maximum precision, the weighing platforms of the PBK9APW-series must be adjusted according to the following sequence:

1. Perform an internal adjustment using SICS command C9.
2. For a user specific adjustment use the following SICS commands: C1, C2, C6, C8.

#### Note

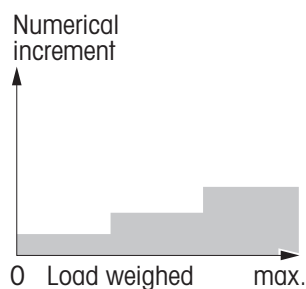
This sequence is automatically performed if you do the adjustment with the "Test & Adjustment" menu of the "APW-Link" software.

## 3 Configuration possibilities

### 3.1 General information

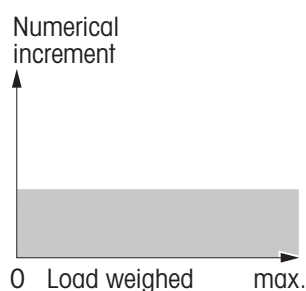
#### 3.1.1 MultiInterval

MultiInterval precision means automatic switchover of the numerical increment (readability) in dependence on the applied load.



#### 3.1.2 Single Range and High Resolution

Single Range and High Resolution mean that the numerical increments (readability) remain the same across the entire weighing range.



#### 3.1.3 Additional setting options

- All other adjustment variables (adjustment to the weighing process and vibrations, as well as adjustment of stability monitoring and the zero point correction) are adjusted to the usual user conditions, however, they can be changed in the Scale menu of the weighing terminal if necessary.
- When ordering the IDNet option, the ACC409xx-SICSpro-IDNet converter including the identcard kit and a set of measuring data signs for the selectable configurations is delivered.
- If the standard configuration does not meet your needs, it is possible to reconfigure the weighing platform with the terminal. To do this, see the terminal operating instructions.
- Apply the selected configuration corresponding to the factory-mounted measuring data sign to the Identcard, and the Max-Min sign near the IDNet terminal display.
- When the configuration is changed, it is also possible to change the preload range in addition to the weighing range and the readability.

### 3.2 Configuration data in the factory setting

<b>PBK989-</b>	<b>XS0.6</b>	<b>A3</b>	<b>A6</b>	<b>AB15</b>	<b>AB30</b>
<b>Maximum capacity</b>	0.61 kg	3 kg	6 kg	15 kg	30 kg
<b>Max1 / e1</b>	0.61 kg / 0.01 g	1 kg / 0.1 g	2 kg / 0.2 g	5 kg / 0.5 g	10 kg / 1 g
<b>Max2 / e2</b>	–	2 kg / 0.2 g	5 kg / 0.5 g	10 kg / 1 g	20 kg / 2 g
<b>Max3 / e3</b>	–	3 kg / 0.5 g	6 kg / 1 g	15 kg / 2 g	30 kg / 5 g
<b>Zero-setting range</b>	± 0.012 kg	± 0.06 kg	± 0.12 kg	± 0.3 kg	± 0.6 kg
<b>Preload range (typical)</b>	0.11 kg	0.54 kg	1.08 kg	2.7 kg	5.4 kg

<b>PBK98_ -</b>	<b>AB60</b>	<b>B60</b>	<b>B120</b>	<b>CC150</b>	<b>CC300</b>
<b>Maximum capacity</b>	60 kg	60 kg	120 kg	150 kg	300 kg
<b>Max1 / e1</b>	20 kg / 2 g	20 kg / 2 g	50 kg / 5 g	50 kg / 5 g	100 kg / 10 g
<b>Max2 / e2</b>	50 kg / 5 g	50 kg / 5 g	100 kg / 10 g	100 kg / 10 g	200 kg / 20 g
<b>Max3 / e3</b>	60 kg / 10 g	60 kg / 10 g	120 kg / 20 g	150 kg / 20 g	300 kg / 50 g
<b>Zero-setting range</b>	± 1.2 kg	± 1.2 kg	± 2.4 kg	± 3 kg	± 6 kg
<b>Preload range (typical)</b>	10.8 kg	10.8 kg	21.6 kg	27 kg	54 kg

## 4 Planning assemblies

### 4.1 Notes on planning

Due to their design characteristics, the weighing platforms are suitable for installation in conveying systems. The following specifications and dimensional drawings form the basis for the design of the required assemblies.

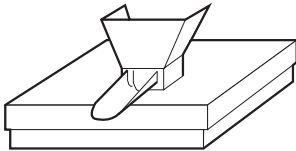
- The weighing platform may only be supported by the support feet, and never by the frame or lever parts.
- The weighing platform may only be permanently installed on the support feet.
- Moving or rotating parts on the weighing platform must be designed so that they do not affect the weighing result. Balance rotating parts.
- The load plate must be free on all sides so that there is no connection between the load plate and permanently mounted parts, even by falling parts or dirt deposits.
- Lay cables or hoses between the weighing platform and other machine parts so that they do not exert any force on the weighing platform.

#### CAUTION

When mounting assemblies, make sure that no metal chips get into the weighing platform.

→ Remove the load plate from the weighing platform before working on the load plate.

### 4.2 Preload range



The weight of the structural parts permanently mounted on the weighing platform is referred to as "preload". The preload is electrically compensated in the weighing platform so that the full weighing range is available. The maximum preload (or the zero-setting range) that can be compensated depends on the configured weighing range.

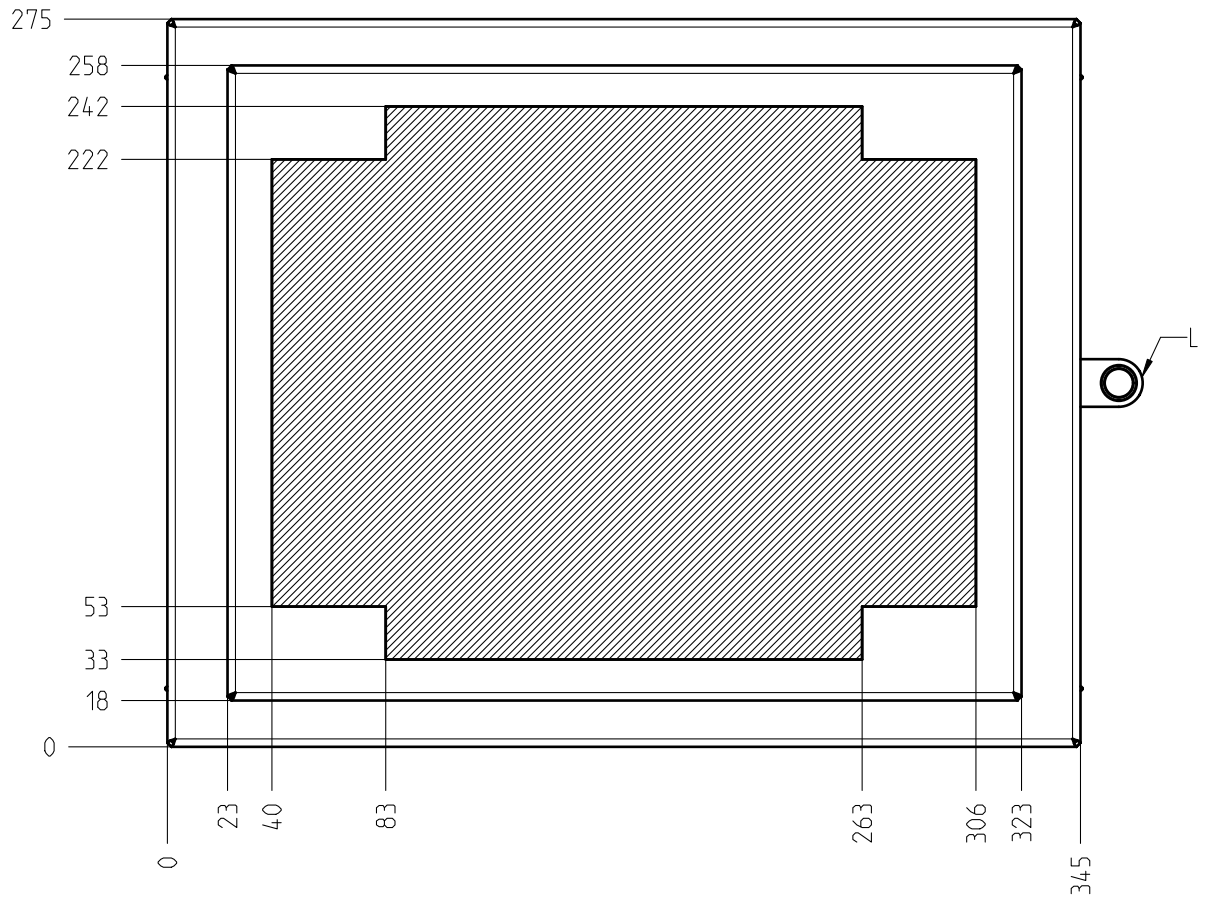
For the preload range of the individual weighing platform refer to section "3.2 Configuration data in the factory setting" on page 20.

#### CAUTION

The assemblies must already be mounted when connecting the weighing platform.

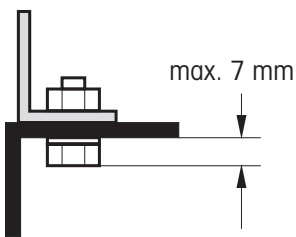
### 4.3 Mounting possibilities

#### Mounting possibilities PBK989-A3 / PBK989-A6



L Level bubble

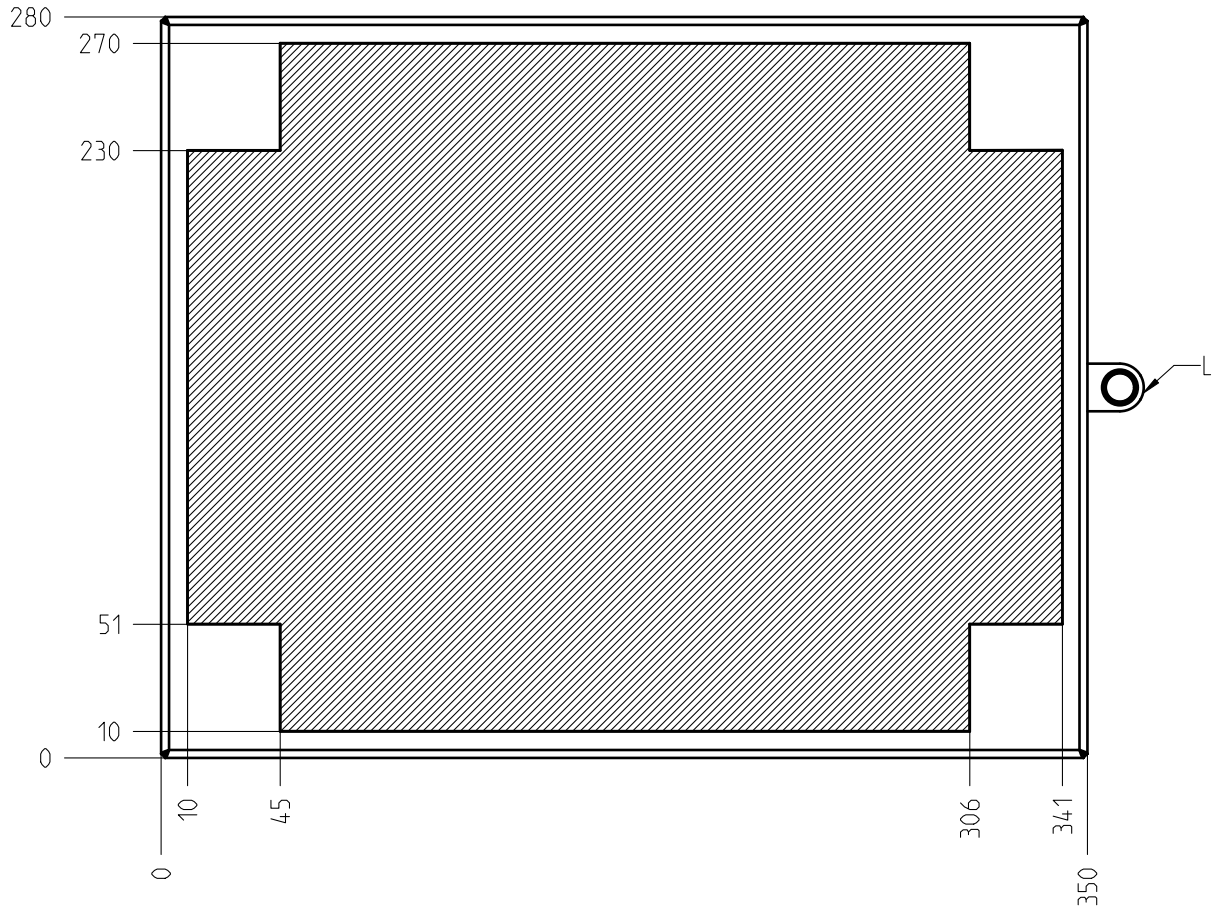
Dimensions in mm



- Bridge assemblies can be mounted in the shaded areas.  
Recommended mounting type: Bolting on, welding on.
- Remove the load plate and drill through for this purpose.
- Mounting parts (e.g. bolts and nuts) may extend to a maximum of 7 mm beyond the underside of the load plate.

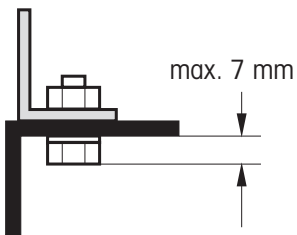
Technical version: 11/2014

### Mounting possibilities PBK989-AB15 / PBK989-AB30



L Level bubble

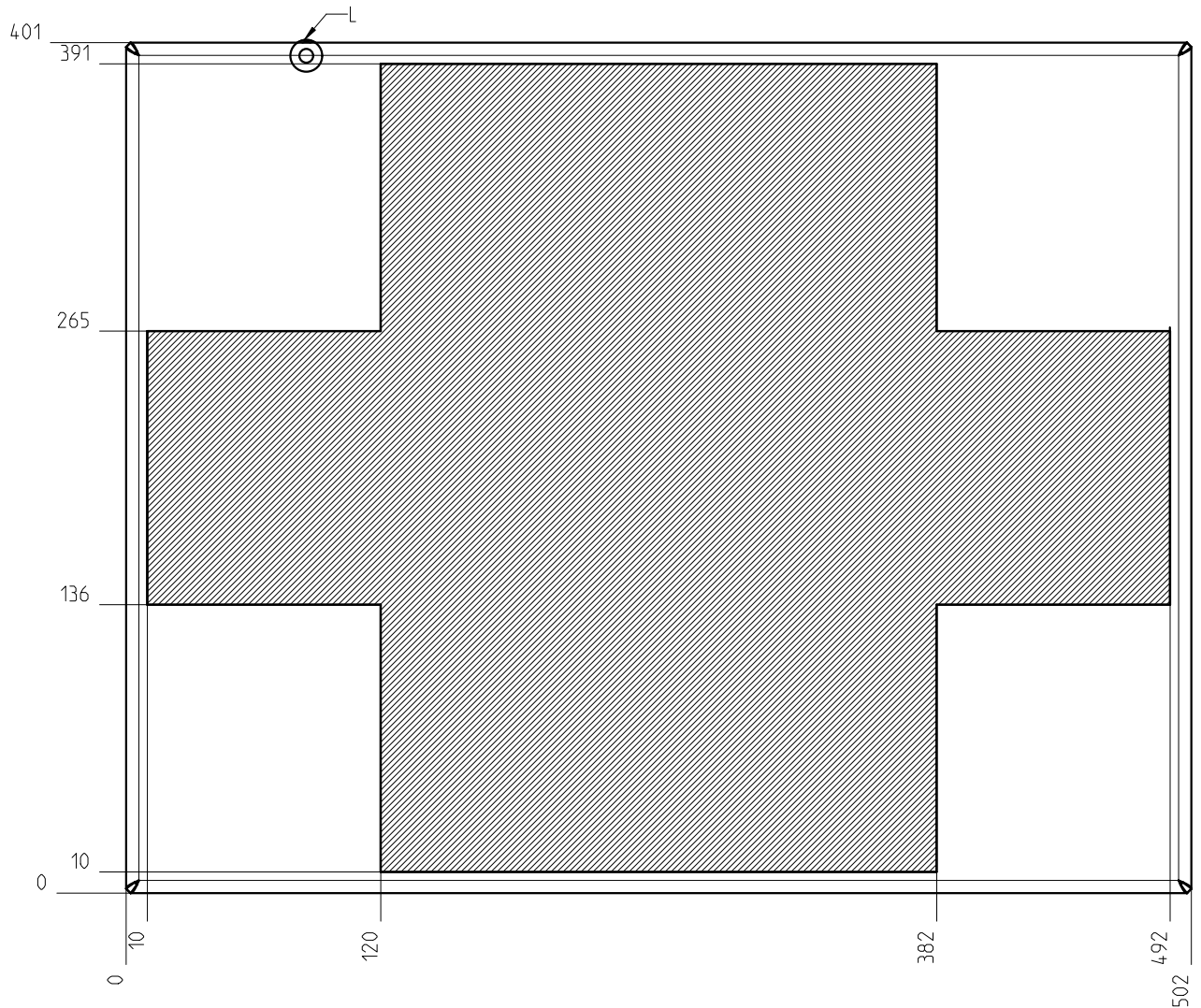
Dimensions in mm



- Bridge assemblies can be mounted in the shaded areas.  
Recommended mounting type: Bolting on, welding on.
- Remove the load plate and drill through for this purpose.
- Mounting parts (e.g. bolts and nuts) may extend to a maximum of 7 mm beyond the underside of the load plate.

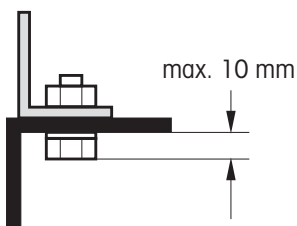
Technical version: 11/2014

### Mounting possibilities PBK98\_-B60 / PBK98\_-B120



L Level bubble

Dimensions in mm

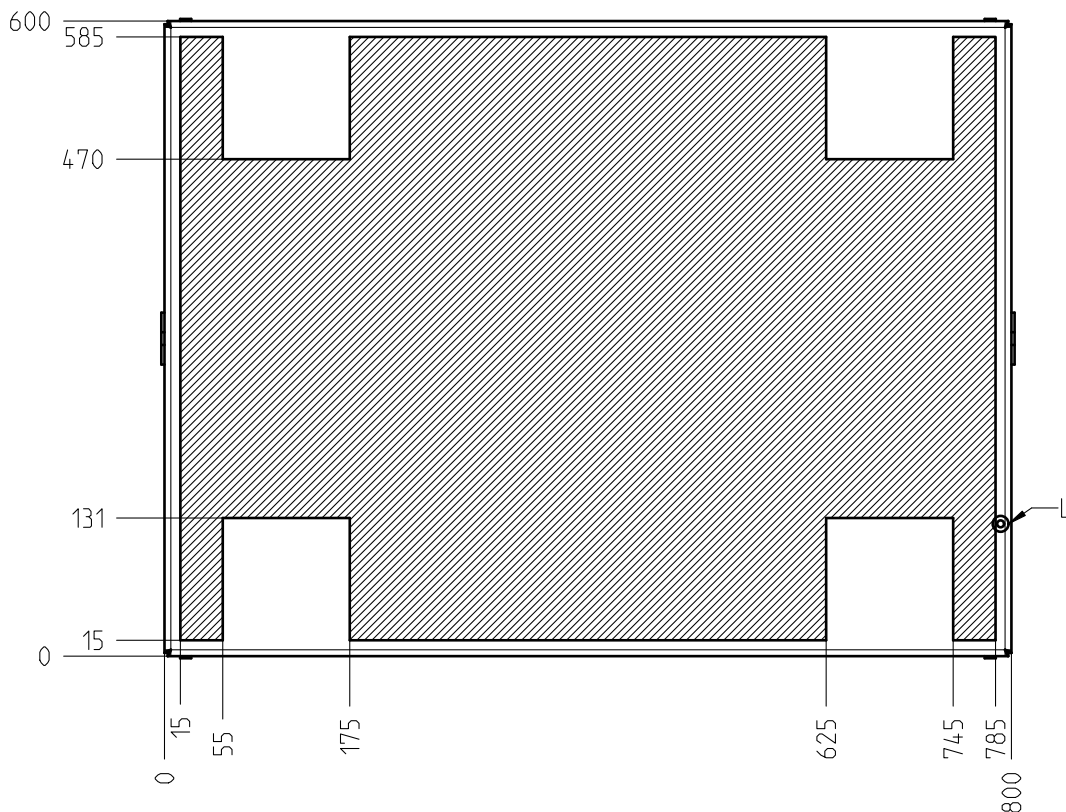


- Bridge assemblies can be mounted in the shaded areas.  
Recommended mounting type: Bolting on, welding on.
- Remove the load plate and drill through for this purpose.
- Mounting parts (e.g. bolts and nuts) may extend to a maximum of 10 mm beyond the underside of the load plate.

Technical version: 11/2014

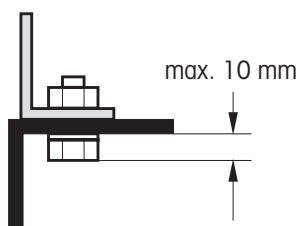


### Mounting possibilities PBK98\_-CC150 / PBK98\_-CC300



L Level bubble

Dimensions in mm

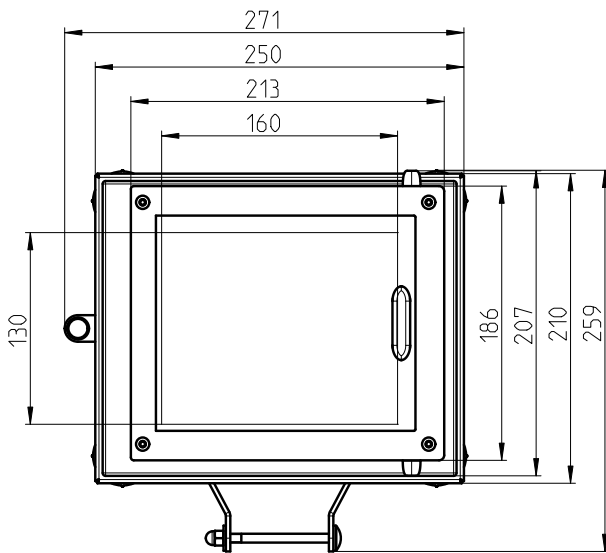
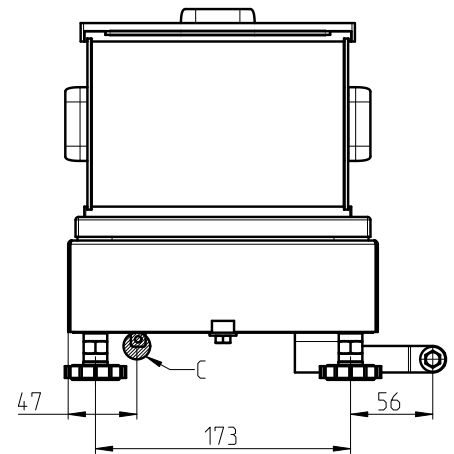
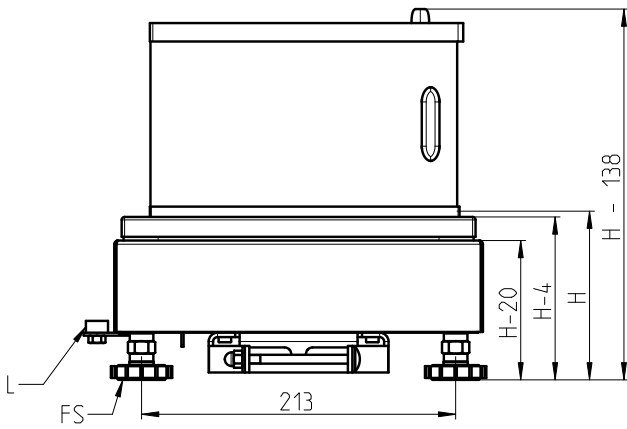


- Bridge assemblies can be mounted in the shaded areas.  
Recommended mounting type: Bolting on, welding on.
- Remove the load plate and drill through for this purpose.
- Mounting parts (e.g. bolts and nuts) may extend to a maximum of 10 mm beyond the underside of the load plate.

Technical version: 11/2014

# 5 Dimensions

## Dimensions PBK989-XS0.6

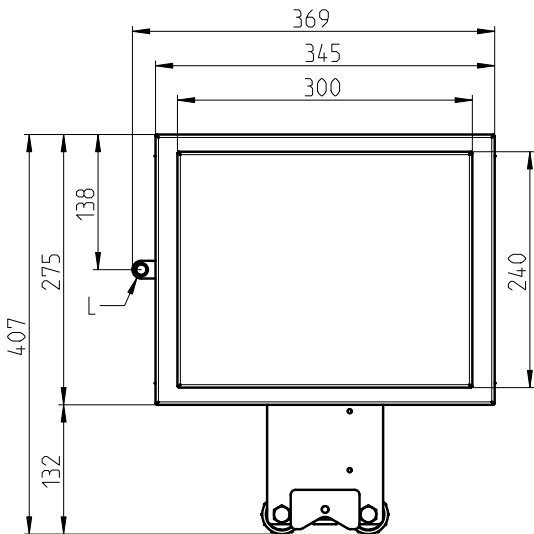
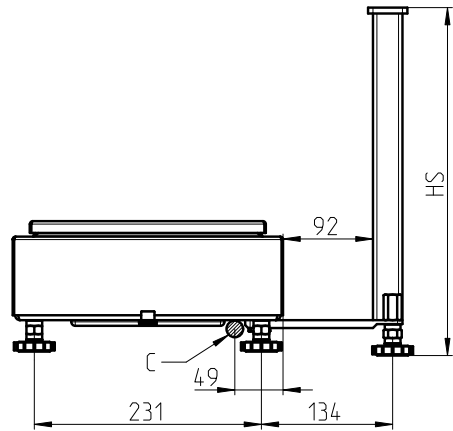
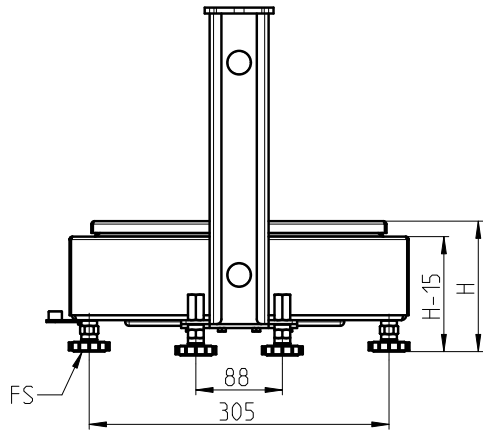


Dimensions in mm

- H Adjustable with 4 foot bolts  
Min.  $H = 115$  mm  
Max.  $H = 127$  mm
- FS Foot bolt  
Required area  $D = 40$  mm dia.  
Spanner size =  $17$  mm  
Thread =  $M10$
- C Cable connection
- L Level bubble

Technical version: 11/2014

**Dimensions PBK989-A3 / PBK989-A6**

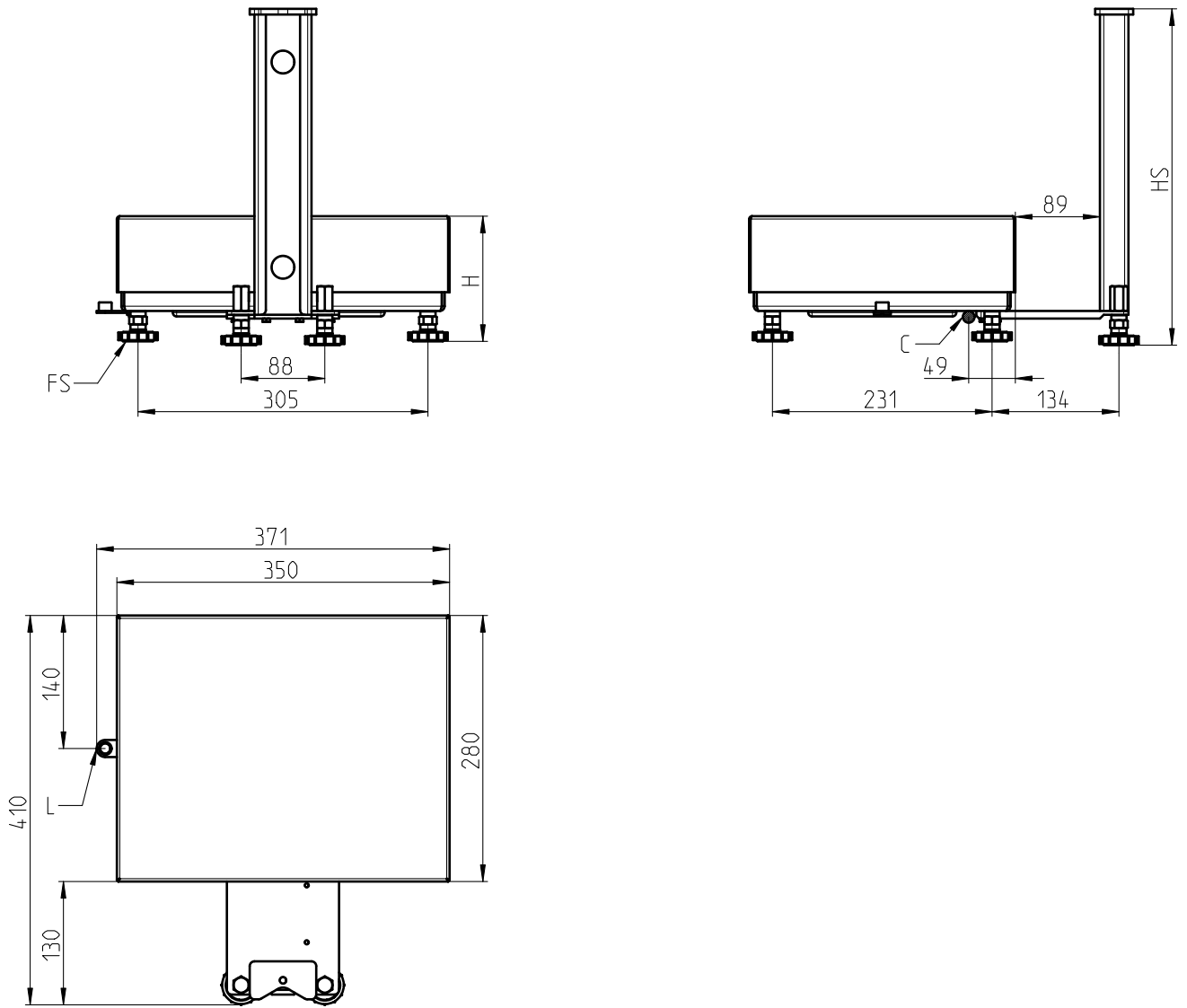


Dimensions in mm

- H Adjustable with 4 foot bolts  
Min. H = 135 mm  
Max. H = 147 mm
- FS Foot bolt  
Required area D = 40 mm dia.  
Spanner size = 17 mm  
Thread = M10
- C Cable connection
- L Level bubble

Technical version: 11/2014

**Dimensions PBK989-AB15 / PBK989-AB30**

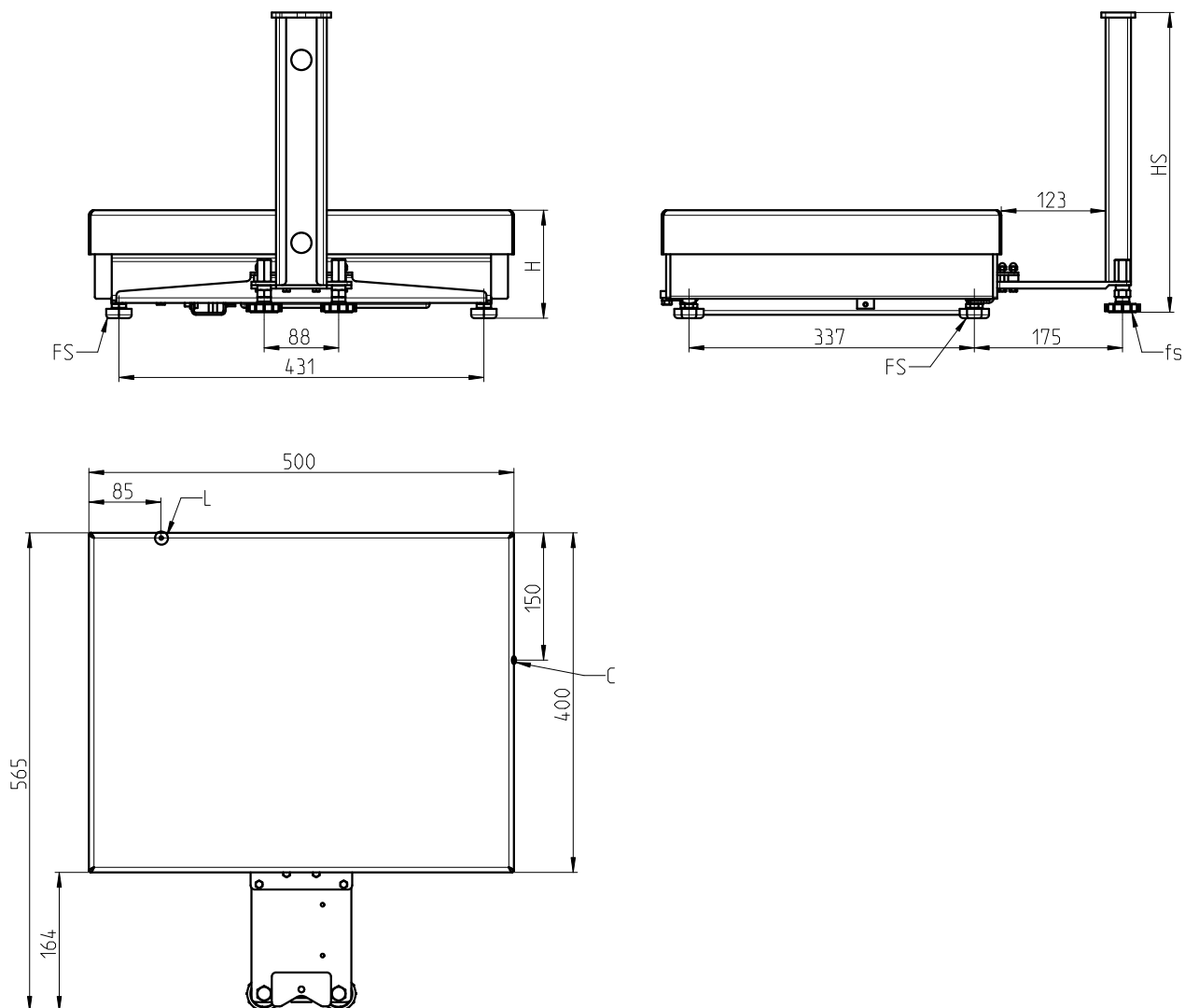


Dimensions in mm

- H Adjustable with 4 foot bolts  
Min. H = 132 mm  
Max. H = 144 mm
- FS Foot bolt  
Required area D = 40 mm dia.  
Spanner size = 17 mm  
Thread = M10
- C Cable connection
- L Level bubble

Technical version: 11/2014

### Dimensions PBK98\_-B60 / PBK98\_-B120

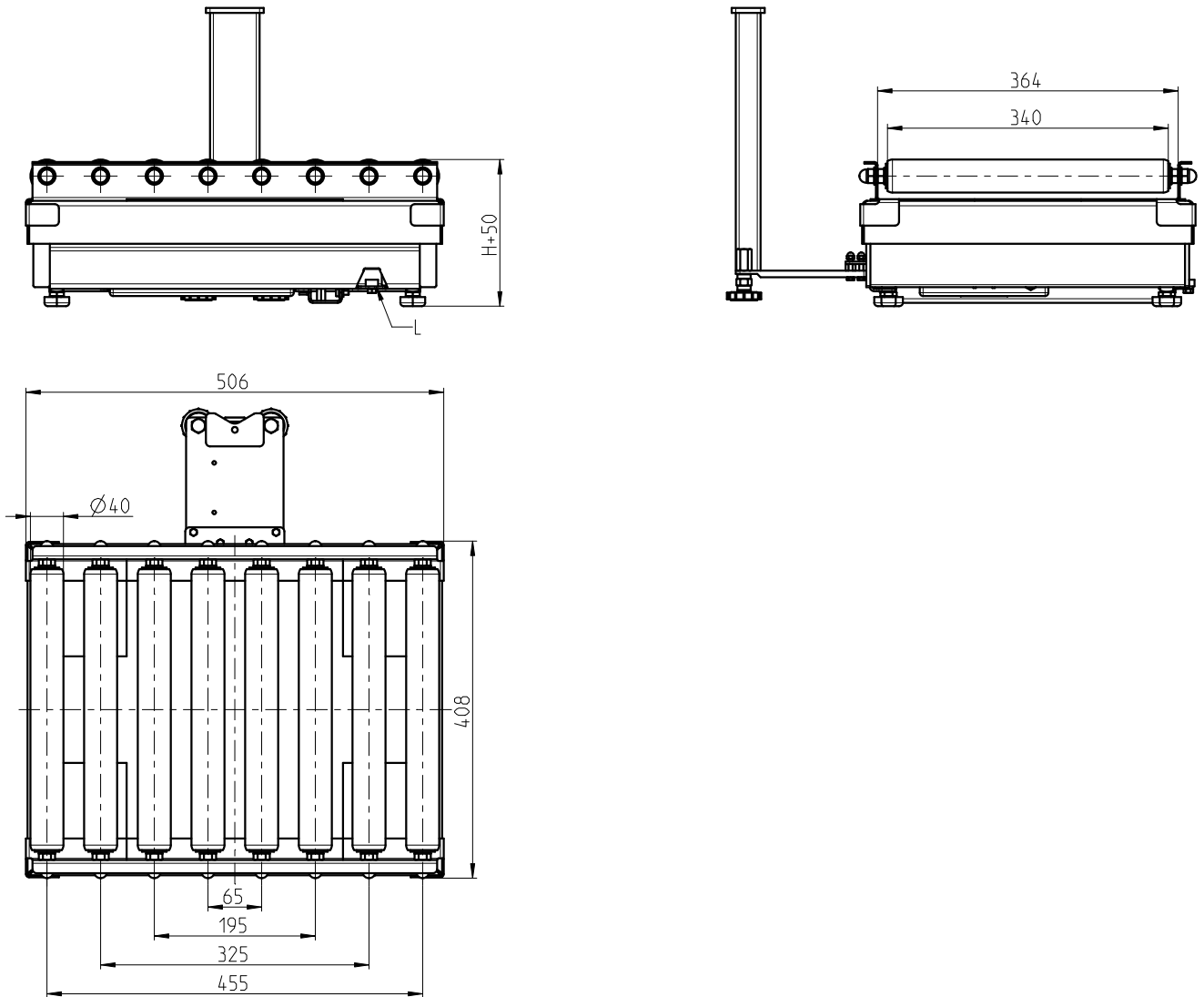


Dimensions in mm

- H Adjustable with 4 foot bolts  
Min. H = 127 mm  
Max. H = 152 mm
- FS Foot bolt  
Required area D = 35 mm dia.  
Spanner size = 17 mm  
Thread = M10
- C Cable connection
- L Level bubble

Technical version: 11/2014

Dimensions PBK98\_-B60 / PBK98\_-B120 with roller conveyer

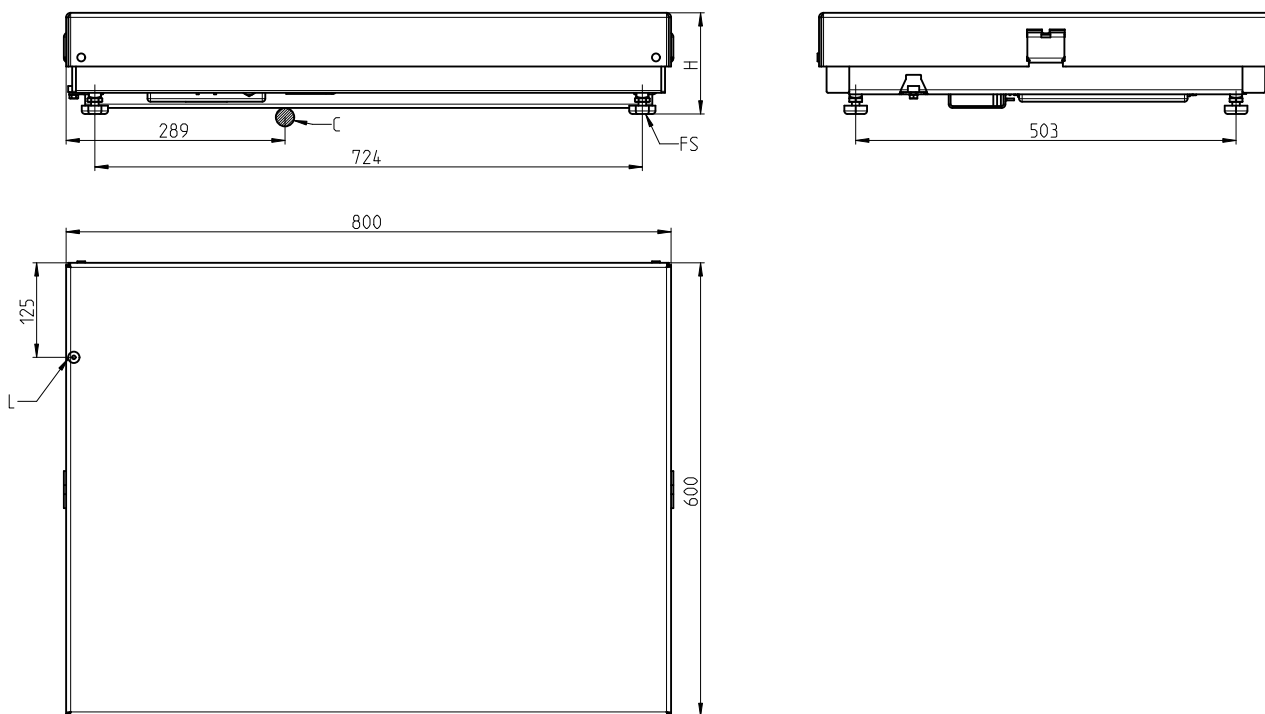


Dimensions in mm

H Adjustable with 4 foot bolts  
 Min. H = 127 mm  
 Max. H = 152 mm

Technical version: 11/2014

### Dimensions PBK98\_-CC150 / PBK98\_-CC300

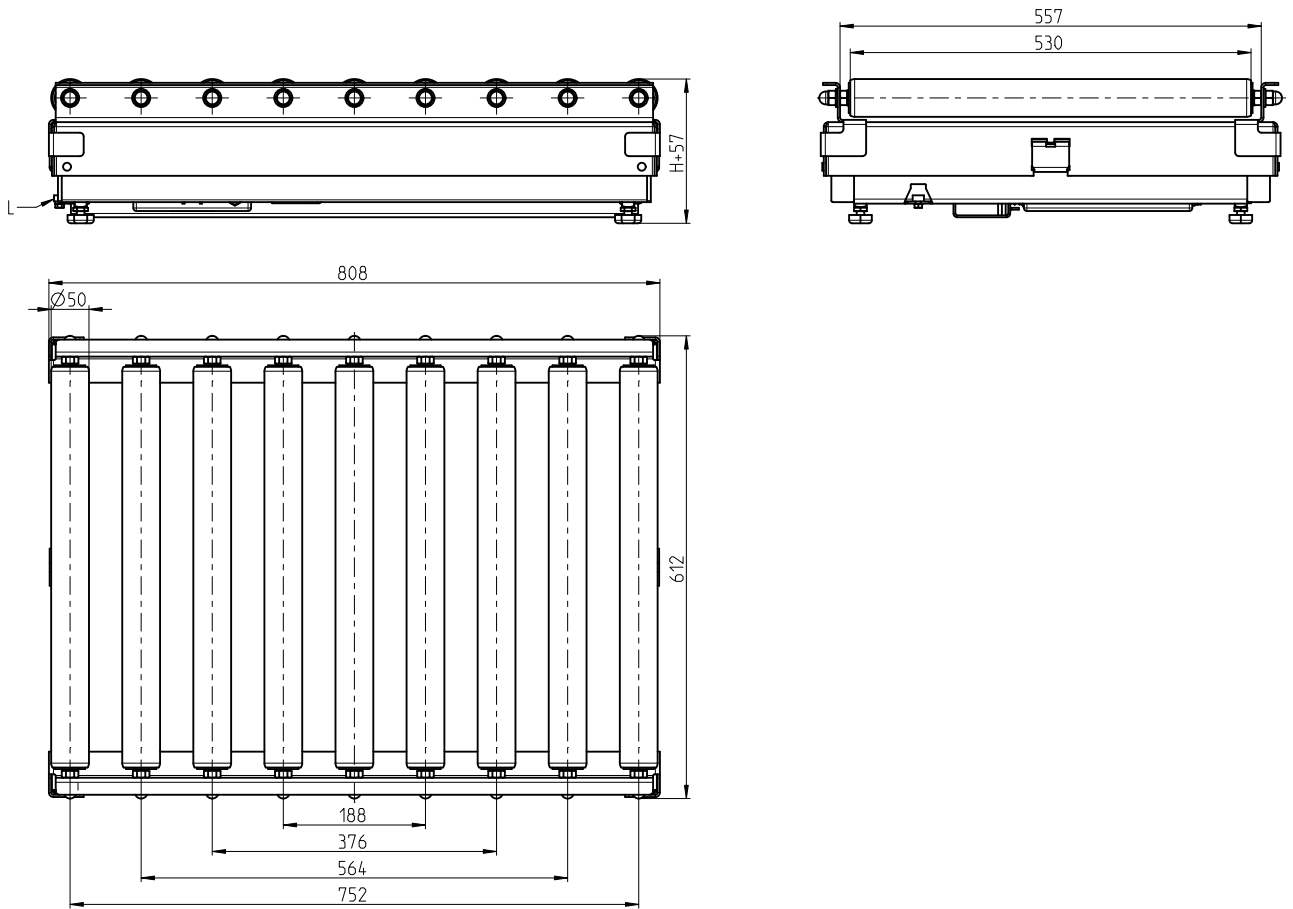


Dimensions in mm

- H Adjustable with 4 foot bolts  
Min. H = 130 mm  
Max. H = 155 mm
- FS Foot bolt  
Required area D = 35 mm dia.  
Spanner size = 17 mm  
Thread = M10
- C Cable connection
- L Level bubble

Technical version: 04/2017

**Dimensions PBK98 \_CC150 / PBK98 \_CC300 with roller conveyor**



Dimensions in mm

H Adjustable with 4 foot bolts  
 Min. H = 130 mm  
 Max. H = 155 mm

Technical version: 04/2017





[www.mt.com/support](http://www.mt.com/support)

For more information

**Mettler-Toledo (Albstadt) GmbH**

D-72458 Albstadt

Tel. +49 7431-14 0

Fax +49 7431-14 232

[www.mt.com](http://www.mt.com)

Subject to technical changes

© Mettler-Toledo (Albstadt) GmbH 05/2017

30233012C en



\* 3 0 2 3 3 0 1 2 C \*