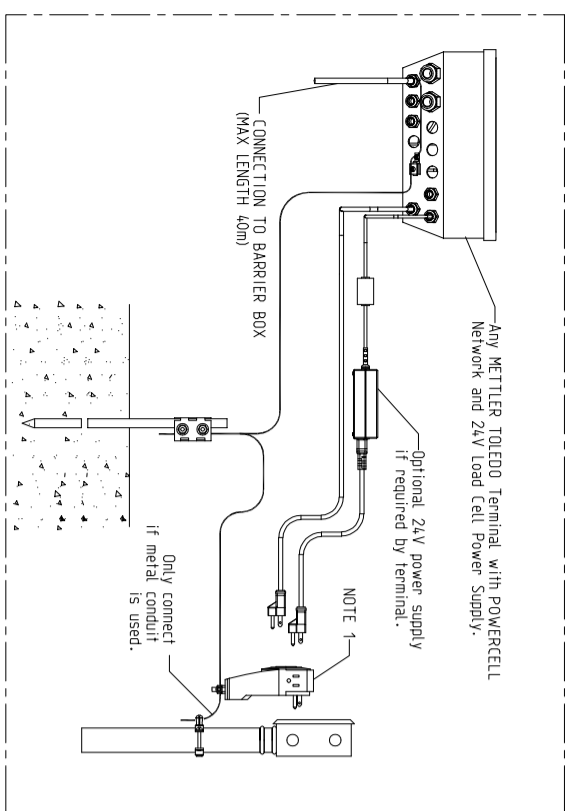
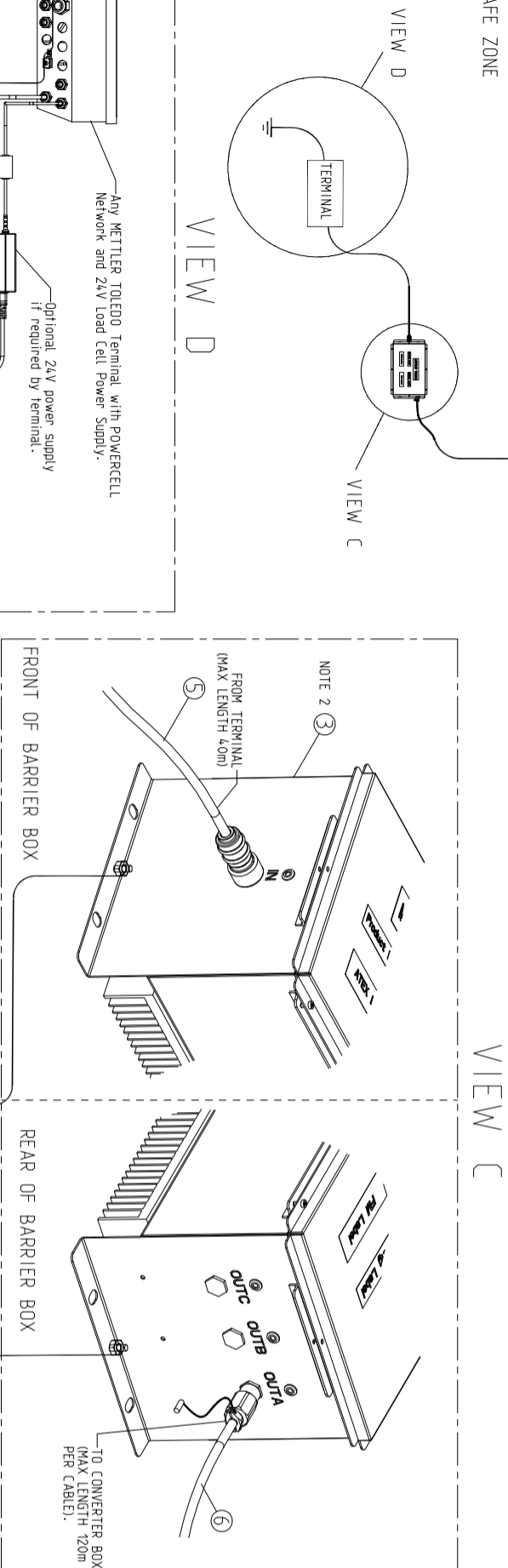
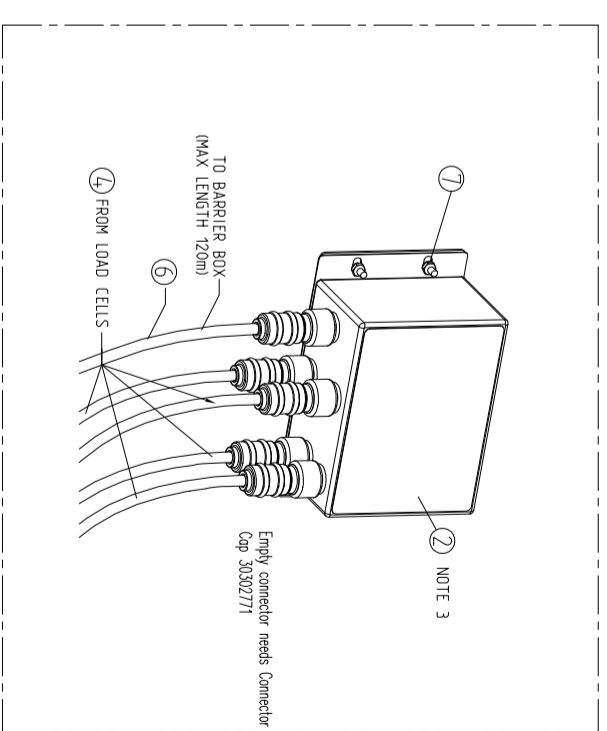
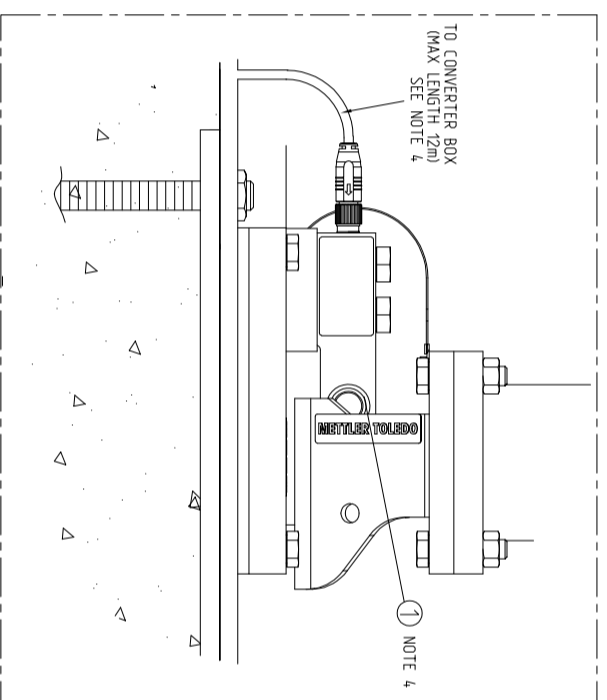
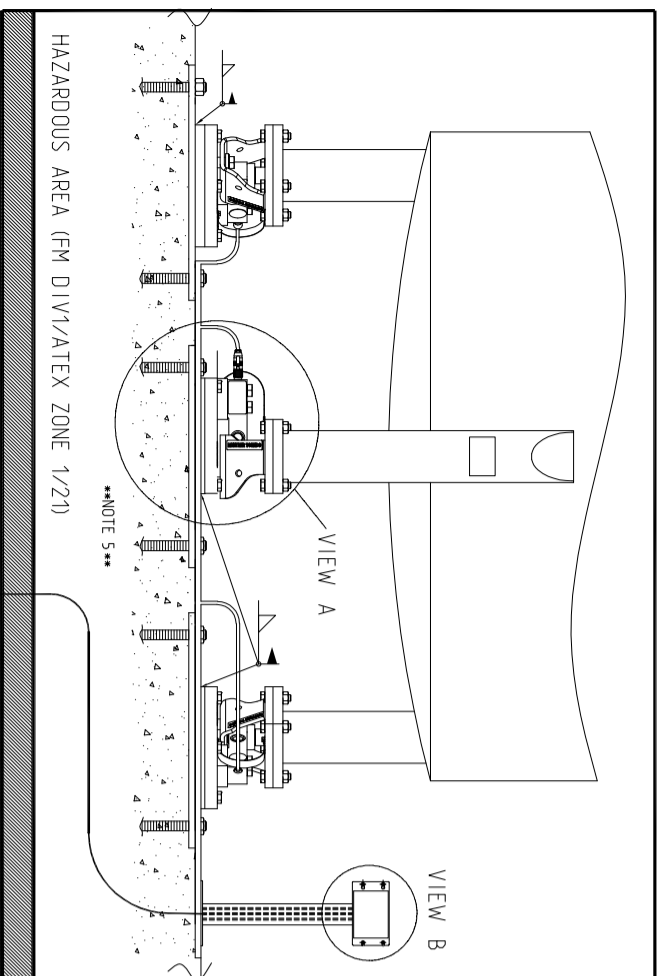


# POWERCELL SLB615D 1-4 Load Cell System



## NOTES:

1. Terminal input power must be connected to a 120V AC or 240V AC surge protector.
2. Barrier box must be located in the Safe Area with limited outdoor exposure (IP54).
3. Converter box shall be mounted near the scale (IP68).
4. The SLB615D load cell must be directly connected to the converter box with the cable at a maximum length of 12m.
5. Scale model may vary from shown.
6. SLB615D load cells must follow star connection to converter box and all open connectors in system should be capped with connector cap.

ITEM	QTY	PART NUMBER	DESCRIPTION	NOTE
8	1-3	30302771	Connector Cap SLC POWERCELL	
7	4	M6 (1/4 UNC) Bolt/Nut/Washer		
6	1	61044730~61044741	PDX HR Cable (max. 120m) - Barrier to Converter Box	
5	1	30302758~30302760	SLC611D HR Cable (max. 20m) - Terminal to Barrier	Alternative
4	1-4	61044730~61044733	PDX HR Cable (max. 40m) - Terminal to Barrier	
3	1	30494833	Cell to Cell Cable (12m) - Cell to Converter Box	
2	1	30283767	Barrier Box CBR-1-X EN(4 Cell)	
1	1-4	30129884	Converter Box CCB-4-X EN	
			SLB615D LOAD CELL	

## METTLER TOLEDO

Refer to protection notice ISO 16016 / Schutzvermerk ISO 16016 beachten

REV	ZONE	DESCRIPTION	BY	APPV/D	AGENCY	E.R. No.	DATE
CHG		RECORD OF CHANGES					
1							
2							
3							
4							
5							
6							

MTCT	Drawn	Scale	ERP Rev
CN-213125 ChangZhou	Xu Yujun	2019/08/29	A
	Change	Format mt_A3	
	Note	Replaces -	

External Design No.:	External Design Rev.:	External Design No.:	External Design Rev.:
D000359350	A	D000359350	A

ERP NO.	Status:	Mass:	Units:
30568990	Approved		mm

AutoCAD Mechanical Template:	VOZ
AutoCAD Mechanical Template	VOZ